

Daily Current Affairs

Date : 21 May 2026



Index

Sr. No.	Topic
1.	'Gram Vikas Chaupal' in Rajasthan
2.	State Great Indian Bustard Day (May 21)
3.	Rajasthan in the Ayushman Bharat Digital Mission (ABDM)
4.	Amendments to the 'One District One Product' (ODOP) Policy
5.	Progress of the 'My Bharat Portal' in Rajasthan
6.	Two Educational Innovations from Rajasthan Accorded 'Good State Practices' Status
7.	News in Shorts 1. Jaipur Ranks First in the State in the 'Self-Enumeration Campaign' under the Census
8.	The Prime Minister's Multi-Nation Tour
9.	"Arunachal Kiwi: Arunachal Pradesh's USP" Mission
10.	Judges (Inquiry) Act, 1968
11.	Trade Enablement and Access to Market (TEAM) Initiative
12.	Venus Orbiter Mission (VOM)
13.	The 'Hop' Experiment
14.	Multilateral Exercise PRAGATI, 2026
15.	Unmanned Aerial Vehicle Launched Precision Guided Missile (ULPGM-V3)

--:1:--



RAJASTHAN



'Gram Vikas Chaupal' in Rajasthan



Why in News?

- On May 21, 2026, Chief Minister Bhajanlal Sharma participated in a 'Gram Vikas Chaupal' (Village Development Forum) in Dhambola village, Dungarpur.

ग्राम विकास चौपाल

महिलाओं, किसानों, युवाओं एवं वरिष्ठ नागरिकों से आत्मीय संवाद

राजीविका से जुड़ी महिलाएं आत्मनिर्भर बन रही हैं। विशेष रूप से ग्रामीण महिलाओं को आर्थिक संबल मिल रहा है। महिलाओं के बैंक सखी, कृषि सखी और पशु सखी बनने से सकारात्मक बदलाव आ रहे हैं।

-श्री भजनलाल शर्मा
माननीय मुख्यमंत्री, राजस्थान

सूचना एवं जनसंपर्क विभाग, राजस्थान [f](#) [ig](#) [X](#) [yt](#) /DIPRRajasthan

--2--



Key Points:

- Prior to this, on May 20, 2026, the Chief Minister had also participated in the 'Gram Vikas Chaupal' program in Chudada village, located in Kushalgarh, Banswara. During his visit to Banswara, the Chief Minister issued directives regarding the organization of CLF (Cluster Level Federation) workshops for women associated with 'Rajeevika' and the establishment of a packaging unit for their products.
- On this occasion, local artists presented the Chief Minister with a traditional 'Adivasi Bandi' (jacket) and a bow-and-arrow symbols of the tribal region.
- Under the 'Gram Vikas Chaupal' initiative in Rajasthan, the Chief Minister is touring various villages across the state to engage in direct dialogue with the villagers.
- The primary objective of this public outreach campaign is to ensure that the benefits of welfare schemes launched by both the State and Central governments reach the last person in society, and to resolve the villagers' grievances on the spot.

Other Important Points:

- It is noteworthy that, to date, the Chief Minister has visited seven districts as part of the 'Gram Vikas Chaupal' program.

S. No.	Village
1	Bambori
2	Jajod
3	Kadel
4	Panseri
5	Thikaria
6	Churada
7	Dhambola

- **Thikariya Village (Jaipur):** From this location, the Chief Minister addressed the valedictory ceremony of the state-level 'Gram Vikas Chaupal' and 'Rath Yatra' (Chariot Journey) programs.

State Great Indian Bustard Day (May 21)

Why in News?

- In Rajasthan, May 21st is celebrated annually as State Great Indian Bustard Day.

Key Points:

- It is noteworthy that it was on May 21, 1981, that the Great Indian Bustard (Godawan) was declared the State Bird of Rajasthan.

Great Indian Bustard (Godawan):

- **Scientific Name:** Ardeotis nigriceps
- **Other Name:** Son Chidiya
- **Highest Population:** Desert National Park (Jaisalmer), Sankhaliya (Ajmer), and Sorsen (Baran).
- **Great Indian Bustard Breeding Centers:** Sudasari (Jaisalmer), Sorsen (Baran), and Jodhpur.
- **Great Indian Bustard Hatching Center (Artificial Breeding Center):** Ramdevra (Jaisalmer).

Other Important Points:

- The Great Indian Bustard (GIB) is the largest of the four bustard species found in India; the other three are the MacQueen's Bustard, the Lesser Florican, and the Bengal Florican.
- The natural habitat of the GIB was historically the entire Indian subcontinent; however, over time, its range has shrunk and is now limited primarily to Rajasthan, Gujarat, and Pakistan.
- The GIB is considered a flagship bird species of subtropical grasslands.



Daily Current Affairs

Date : 21 May 2026



- In India, the population of the Great Indian Bustard (GIB) has plummeted to fewer than 300 individuals.

Conservation Efforts:

- **Wildlife (Protection) Act, 1972 (India):** Listed in Schedule I.
- **CITES:** Listed in Appendix I.
- **Convention on Migratory Species (CMS):** Listed in Appendix I.
- **IUCN Red List:** Critically Endangered
- On June 5, 2013, the Government of Rajasthan launched an ambitious conservation program titled 'Project Great Indian Bustard'.
- Under this program, the Wildlife Institute of India (WII) and the Rajasthan Forest Department have jointly established conservation and breeding centers.

UTKARSH

CIVIL
SERVICES

--:5:--

Rajasthan in the Ayushman Bharat Digital Mission (ABDM)

Why in News?

- Recently, under the Ayushman Bharat Digital Mission (ABDM) in Rajasthan, one government institution and one private health institution have been selected in each of the state's 41 districts; these institutions are to be developed as 'Model Facilities.'



Key Points:

- These institutions, selected as 'Model Facilities,' will be digitized through the provision of special support. Furthermore, all end-to-end components of the ABDM such as 'Scan and Share,' the adoption of an ABDM-compliant Health Management Information System, the Healthcare Facility Registry, and the Healthcare Professionals Registry will be implemented within them. Consequently, ABHA IDs will be generated for all patients, and their health records will be linked.

Facts for Prelims:

Ayushman Bharat Digital Mission (ABDM)

- Launched by Prime Minister Narendra Modi on September 27, 2021, the Ayushman Bharat Digital Mission (ABDM) aims to establish a robust digital health ecosystem through active collaboration between the public and private sectors.
- The Ayushman Bharat Digital Mission (ABDM) formerly known as the 'National Digital Health Mission' aims to support Universal Health Coverage in an efficient, accessible, inclusive, affordable, time-bound, and secure manner.

Ayushman Bharat Health Account (ABHA)

- ABHA is a unique 14-digit identification number that forms an integral part of the 'Ayushman Bharat Digital Mission.'
- **Nodal Ministry:** Ministry of Health and Family Welfare.
- **Objective:** To ensure the centralized, secure, and digital storage of citizens' health records.
- As of December 2025, more than 6.52 crore (65.2 million) ABHA IDs have been generated in Rajasthan.
- **Note:** To make healthcare services in Rajasthan more accessible and affordable, the 'Right to Health Care Act, 2023' is currently being implemented.

Amendments to the 'One District One Product' (ODOP) Policy

Why in News?

- Recently, two significant amendments have been made to the 'One District One Product (ODOP) Policy – 2024,' which is being implemented by the Department of Industries and Commerce to promote local products within the state.

The infographic features a textured grey background. At the top left is the ODOP logo with a map of Rajasthan. At the top center is a red pill-shaped button with the hashtag #OneDistrictOneProduct. At the top right is the 'RISING RAJASTHAN' logo with the tagline 'REPLETE • RESPONSIBLE • READY'. The main title 'RAJASTHAN'S One District One Product (ODOP) Policy Empowering Entrepreneurs' is centered. Below it, a paragraph states: 'Rajasthan is unlocking limitless possibilities for entrepreneurs through its ODOP (One District One Product) Policy, offering substantial margin money assistance to fuel new micro and small enterprises.' Two columns of benefits are listed, each with a circular icon: a blue icon with a wallet for 'Margin Money Assistance for New Enterprises' and a green icon with a wallet for 'Additional subsidy of up to INR 5 lakh for'. At the bottom, there are social media icons for X, LinkedIn, Instagram, Facebook, and YouTube, along with the website URL RISING.RAJASTHAN.GOV.IN and the hashtag #RISINGRAJASTHAN.

ODOP
ONE DISTRICT ONE PRODUCT

#OneDistrictOneProduct

RISING RAJASTHAN
REPLETE • RESPONSIBLE • READY

RAJASTHAN'S

One District One Product (ODOP) Policy

Empowering Entrepreneurs

Rajasthan is unlocking limitless possibilities for entrepreneurs through its ODOP (One District One Product) Policy, offering substantial margin money assistance to fuel new micro and small enterprises.

Margin Money Assistance for New Enterprises

1. Micro Enterprises: 25% subsidy (up to INR 15 lakh)
2. Small Enterprises: 15% subsidy (up to INR 20 lakh)

Additional subsidy of up to INR 5 lakh for

1. Women Entrepreneurs
2. Young Entrepreneurs (below 35 years)
3. People with Benchmark Disabilities (PwBD)
4. SC/ST Entrepreneurs

RISING.RAJASTHAN.GOV.IN

X in @ f

#RISINGRAJASTHAN

--:8:--



Key Points:

- Notably, the State Budget for 2026-27 had announced the provision of 'margin money' grants to ODOP units for expansion purposes.
- **First Amendment:** Micro-units undertaking business expansion will now be eligible to receive a margin money grant of up to ₹20 lakh, while units falling under the Small category can receive up to ₹15 lakh. An additional budgetary allocation of ₹15 crore has been earmarked for this purpose. Previously, this benefit was available exclusively to new units.
- **Second Amendment:** Under the ODOP policy, technical upgradation can now be undertaken through private institutions as well, for which a grant of up to ₹5 lakh will be provided. Previously, this benefit was granted only when technical upgradation was carried out through government institutions.
- This change will enable ODOP units to easily adopt the latest technologies and machinery, thereby facilitating high-quality production with reduced energy consumption.

Other Important Points:

- Recently, the State-Level Committee for the 'Panch Gaurav' program chaired by the Chief Secretary of Rajasthan approved five new projects to be established across five districts at a total cost of ₹18.19 crore.
- Common Facility Centers, testing laboratories, and storage facilities will be developed in the five selected districts: Dausa, Churu, Didwana-Kuchaman, Phalodi, and Balotra.

--9:--

Facts for Prelims:

One District One Product Policy – 2024:

- The 'One District One Product Policy – 2024' was launched to promote the state's unique products by identifying one specific product in each of the 41 districts.
- **Nodal Department:** Department of Industries and Commerce (Government of Rajasthan)
- **Policy Launched in:** December 2024
- **Validity:** Valid until March 31, 2029.
- Under this initiative, the State Government provides various types of incentives to Micro and Small Enterprises.

Incentives:

S. No.	Incentive	Financial Assistance
1	Margin Money Assistance	Up to ₹20 lakh
2	Advanced Technology and Software	Up to ₹5 lakh
3	Quality Certification and IPR	Up to ₹3 lakh
4	Participation in Marketing Events	Up to ₹2 lakh
5	e-commerce Website Development	Up to ₹75 thousand

Progress of the 'My Bharat Portal' in Rajasthan

Why in News?

- As of May 20, 2026, approximately 17.70 lakh youths in Rajasthan have registered on the 'My Bharat Portal'. On the portal, 49 universities, 420 colleges, and 243 schools have been onboarded.

माय भारत पोर्टल की प्रगति की समीक्षा बैठक

- 15 से 29 वर्ष आयु वर्ग के युवाओं का व्यापक पंजीकरण सुनिश्चित करने पर जोर
- माय भारत पोर्टल युवाओं के लिए, 'सिंगल विंडो सॉल्यूशन' के रूप में विकसित हो

- मुख्य सचिव

Key Points:

- Additionally, 13 departments and 9 district administrations have also been linked to this portal, and 942 experiential learning opportunities as well as 10,000 volunteering opportunities have been published.
- My Bharat Portal is an initiative of the Government of India, designed under the Ministry of Youth Affairs and Sports to empower the country's youth.
- Launch:** By Prime Minister Narendra Modi on October 31, 2023.
- It functions as a central hub, connecting youths aged 15 to 29 with experiential learning programs, volunteering opportunities, and mentorship networks.

Two Educational Innovations from Rajasthan Accorded 'Good State Practices' Status

Why in News?

- Recently, in its latest report titled 'School Education System in India – Temporal Analysis and Policy Roadmap for Quality Enhancement,' NITI Aayog has cited Rajasthan's 'Shala Swasthya Parikshan Abhiyan' and the AI-based evaluation system of the 'Mukhyamantri Shikshit Rajasthan Abhiyan' as 'Good State Practices.'

नीति आयोग की स्कूल एजुकेशन सिस्टम इन इंडिया पर नवीनतम रिपोर्ट

राजस्थान के शिक्षा नवाचारों पर नीति आयोग ने लगाई मुहर

'शाला स्वास्थ्य अभियान एवं एआई आधारित मूल्यांकन प्रणाली को बताया गुड स्टेट प्रैक्टिसेज'

मुख्यमंत्री के नेतृत्व में, राजस्थान का शिक्षा क्षेत्र बन रहा नवाचारों की उत्कृष्ट पाठशाला

RajGovOfficial

--:12:--



Key Points:

- In the report, NITI Aayog has lauded the ‘Shala Swasthya Parikshan Abhiyan’ developed by Rajasthan for the health screening, nutrition, fitness, and health monitoring of students.
- According to the report, more than 7.5 million students in the state have been screened across over 70 health parameters. Under this initiative, various aspects including students' vision, hearing ability, nutritional levels, dental health, and physical fitness were examined, and a mobile app-based follow-up system was developed.
- NITI Aayog has described this innovation as an effective step toward making health and nutrition an integral part of the education system, in alignment with the National Education Policy (NEP) 2020.
- Additionally, NITI Aayog has also commended the OCR technology and the AI-based evaluation system of the ‘Mukhyamantri Shikshit Rajasthan Abhiyan’ in the report.
- According to the report, this evaluation system helped lift over 400,000 students out of “learning poverty,” and an annual improvement of 8–10 percent was recorded their in learning levels.
- Meanwhile, in the Rajasthan ‘Parakh’ Report 2024, the state outperformed the national average and secured a place among the top 10 states in the country.

Other Significant Points:

- **‘Padhai with AI’ Program:** NITI Aayog’s report also mentions the ‘Padhai with AI’ program operational in the Tonk district, through which effective improvements in academic results across various subjects including mathematics have been reported.

✂ NEWS IN SHORTS ⚡

S. No.	News
1.	<p>Jaipur Ranks First in the State in the 'Self-Enumeration Campaign' under the Census</p> <ul style="list-style-type: none">■ The Jaipur district secured the first position in Rajasthan by delivering an outstanding performance in the 'Self-Enumeration Campaign,' conducted as part of the 2026 Census operations.■ Jaipur recorded over 3.25 lakh self-enumerations, accounting for approximately 22 percent of the state's total self-enumeration tally.■ In recognition of this exceptional achievement, Rajasthan's Chief Secretary, V. Srinivas, felicitated District Collector Sandesh Nayak and Municipal Corporation Commissioner Om Kasera.





NATIONAL



The Prime Minister's Multi-Nation Tour

{Source: PIB, AIR, DD-NEWS, Ministry of External Affairs}



Why in News?

- Recently, The Indian Prime Minister undertook a tour of the United Arab Emirates, the Netherlands, Sweden, Norway, and Italy, respectively, between May 15 and May 20, 2026.

वैश्विक संकट के बीच भारत के लिए बड़ी उपलब्धियां

 UAE के साथ 	 30 मिलियन बैरल रणनीतिक तेल भंडारण साझेदारी
	 भारतीय इंफ्रास्ट्रक्चर में \$5 बिलियन का नया निवेश
	 दीर्घकालिक LNG और ऊर्जा सुरक्षा साझेदारी
नीदरलैंड्स के साथ 	 ASML-Tata सेमीकंडक्टर समझौता
	 गुजरात में पहला 300mm सेमीकंडक्टर फैब्रिकेशन प्लांट
	 \$11 बिलियन का फैंब निवेश
स्वीडन के साथ 	 रणनीतिक साझेदारी को नई मजबूती
	 6G और टेलीकॉम सहयोग का विस्तार
	 क्वांटम और उभरती तकनीकों में सहयोग बढ़ा

--:15:--

📌 Key Points:

1. Visit to the United Arab Emirates: May 15, 2026



- The UAE is India's third-largest trading partner and the seventh-largest source of overall investment over the last 25 years. Over 4.5 million members of the Indian diaspora reside in the UAE.
- **Trade and Investment Relations:** Driven by the Comprehensive Economic Partnership Agreement (CEPA) between India and the UAE, bilateral merchandise trade between the two nations crossed the \$100 billion mark for the first time, reaching \$101.25 billion in the financial year 2025–26. Both sides have expressed a commitment to double bilateral trade to \$200 billion by the year 2032.

--:16:--

Daily Current Affairs

Date : 21 May 2026



List of Outcomes:

S. No.	Sector	MoU/Agreement	Objective
1	Energy Security and Strategic Petroleum Reserve (SPR)	Memorandum of Understanding on strategic cooperation between Indian Strategic Petroleum Reserves Limited (ISPRL) and Abu Dhabi National Oil Company (ADNOC)	The MoU aims at- (a) Potential storage of up to 30 million barrels of crude oil by ADNOC in India's Strategic Petroleum Reserves, including participation in facilities at Visakhapatnam and development of reserved facilities at Chandikhol. (b) Potential cooperation in LNG and LPG storage facilities in India.
2	Strategic Defence Industrial Framework	Framework for Strategic Defence Partnership	To establish a strategic framework for defence industrial cooperation, innovation and advanced technology, training, exercises, education and doctrine, special operations and interoperability, maritime security, cyber defence, secure communications, and information exchange.

-:17:-



Daily Current Affairs

Date : 21 May 2026



3	Maritime Infrastructure and Skill Development	Agreement between Cochin Shipyard Limited (CSL) and Drydocks World (DDW)	Signing of an MoU to establish a ship repair cluster at Vadinar under the Maritime Development Fund Scheme.
		Tripartite agreement between Cochin Shipyard Limited (CSL), Drydocks World (DDW), and Center of Excellence in Maritime and Shipbuilding (CEMS)	To create a framework for mobilizing, training, and providing employment to a skilled maritime workforce.
4	Emerging Technologies and AI	Agreement between Centre for Development of Advanced Computing (C-DAC) and G42	A term sheet was signed to establish an 8-exaflop supercomputing cluster under the AI Mission India initiative.

Announcement

7. Investment by the United Arab Emirates in India:

- (i) The Abu Dhabi Investment Authority (ADIA) and India's National Investment and Infrastructure Fund (NIIF) will be appointed to explore investment opportunities of up to US\$ 1 billion in India's infrastructure sector.
- (ii) Emirates NBD (ENBD) will invest US\$ 3 billion in India's RBL Bank.
- (iii) International Holding Company will invest US\$ 1 billion in India's Sammaan Capital.

--:18:--

2. Visit to the Netherlands: May 16–17, 2026



- At the invitation of the Prime Minister of the Netherlands, Mr. Rob Jetten, Prime Minister Mr. Narendra Modi paid an official visit to the Netherlands from May 16 to 17, 2026. This marked Prime Minister Modi's second visit to the Netherlands (the first having taken place in 2017).
- **Details of Key Outcomes:** During this visit, both countries agreed to elevate their bilateral relations to a "Strategic Partnership" and to adopt a comprehensive "Roadmap for the India-Netherlands Strategic Partnership (2026–2030)."

S. No.	Documents / Agreements (14 MoUs Signed)	Sector
1	India–Netherlands Strategic Partnership Roadmap [2026–2030]	Comprehensive Document
2	Return of Copper Plates of the Chola Dynasty	Culture

Daily Current Affairs

Date : 21 May 2026



3	Memorandum of Understanding between Tata Electronics and ASML to support the semiconductor fab at Dholera	Semiconductor
4	Memorandum of Understanding on Critical Minerals between India's Ministry of Mines and the Netherlands Ministry of Foreign Affairs	Critical Minerals
5	Letter of Intent between India's Ministry of Jal Shakti and the Netherlands Ministry of Infrastructure and Water Management for technical cooperation regarding the Kalpasar Project	Water
6	Commitment to renew the "Water Strategic Partnership" (originally signed in 2022) until March 2027, to be reviewed by a Ministerial Joint Working Group	Water Cooperation
7	India-Netherlands Roadmap for the development of Green Hydrogen Cooperation	Renewable Energy
8	Establishment of an Indo-Dutch Centre of Excellence for Floriculture in West Tripura	Agriculture / Animal Husbandry
9	Establishment of an Indo-Dutch Centre of Excellence for Dairy Training at Centre of Excellence for Animal Husbandry (CEAH)	Agriculture / Animal Husbandry
10	Establishment of a "Clean Plant Centre"	Agriculture / Horticulture
11	Continued cooperation to finalize the "Mutual Legal Assistance Treaty" and the new "Extradition Treaty"	Security Cooperation

--:20:--



उत्कर्ष®

Jodhpur : JALORI GATE CIRCLE, JODHPUR | Support@utkarsh.com | Call us at : 9829 213 213
Jaipur : NEAR MAHESH NAGAR THANA, GOPALPURA BYPASS ROAD, JAIPUR

12	Enhancing cooperation in the context of the Netherlands' membership in the Indo-Pacific Oceans Initiative (IPOI)	Strategic / Maritime Cooperation
13	Further strengthening cooperation in the context of the Letter of Intent on the "Green and Digital Sea Corridor" between India and the Netherlands	Maritime / Green Connectivity
14	Release of the "Defence Industrial Roadmap" between the Society of Indian Defence Manufacturers (SIDM) and the Netherlands Industries for Defence and Security (NIDV)	Defence Industry Cooperation

Afsluitdijk Dam:



- The Indian Prime Minister visited the Netherlands' iconic water management structure, the Afsluitdijk.

-:21:-

- This 32-kilometer-long structure protects a large part of the Netherlands from the North Sea while also facilitating the storage of freshwater.

Kalpasar Project:

- The visit to the dam highlighted the similarities between the Afsluitdijk and India's ambitious Kalpasar Project in the state of Gujarat.
- The Kalpasar Project aims to create a freshwater reservoir in the Gulf of Khambhat, integrating tidal power generation, irrigation, and transportation infrastructure.

Return of Chola Copper Plates:



- In the presence of the Prime Ministers of both nations, the Leiden University Library returned 11th-century Chola copper plates to the Government of India.
- The Chola copper plates comprising 21 large plates and 3 smaller ones, are royal charters issued by Chola kings during the 11th century AD.
- These records formalize the donation of the village of Anaimangalam to a Buddhist monastery named 'Chulamani-varma Vihara,' located in Nagapattinam, Tamil Nadu. The plates bear inscriptions written in both Tamil and Sanskrit.

- **Trade:** The Netherlands is one of India's largest trading partners in Europe, with a bilateral trade volume of US\$ 27.8 billion (2024-25); it is also India's fourth-largest investor, with a total Foreign Direct Investment (FDI) of US\$ 55.6 billion.
- The Netherlands is home to the second-largest Indian diaspora community in Europe. Additionally, to promote cultural exchange, "The Gandhi Centre" (an ICCR cultural center) was established in The Hague in 2011.

3. Visit to Sweden: May 17–18, 2026



- **‘Royal Order of the Polar Star, Degree of Commander Grand Cross’ Honor:** Crown Princess Victoria of Sweden conferred the ‘Royal Order of the Polar Star, Degree of Commander Grand Cross’ upon Prime Minister Narendra

--:23:-

Modi. This is one of Sweden's most ancient and prestigious honors, established in the 18th century.

- This marks the 31st international honor received by Prime Minister Narendra Modi from a foreign nation.
- **Outcome:** Strategic Partnership in India-Sweden Relations; this strategic partnership will be anchored on four key pillars:
 1. Strategic Dialogue for Stability and Security
 2. Next-Generation Economic Partnership
 3. Emerging Technologies and Trusted Connectivity
 4. Building the Future Together -People, Planet, Health, and Resilience.
- **India-Sweden Joint Action Plan:** To effectively implement this strategic partnership, both leaders adopted the India-Sweden Joint Action Plan 2026–2030, which provides a comprehensive framework for cooperation across the political, economic, technological, security, climate, and people-to-people engagement spheres.

4. Visit to Norway: May 18–19, 2026



- This marks Prime Minister Modi's first visit to Norway, as well as the first Prime Ministerial visit to Norway in 43 years.

3rd Nordic-India Summit, 2026:



- The Prime Minister participated in the 3rd Nordic-India Summit, held in Oslo on May 19, 2026.
- Participating alongside Prime Minister Narendra Modi at this summit were: Prime Minister of Norway, Jonas Gahr Støre; Prime Minister of Denmark, Ms. Mette Frederiksen; Prime Minister of Finland, Petteri Orpo; and Prime Minister of Iceland, Ms. Kristrún Frostadóttir. And Swedish Prime Minister Ulf Kristersson also participated.
- Trade between India and the Nordic countries has quadrupled over the last decade, and Nordic investment in India has increased by 200 percent.
- Key themes deliberated upon at this summit included energy, the maritime economy, technology and innovation, sustainability, renewable energy, and digitalization.

--:25:--

Key Highlights:

- 1. Upgradation of Strategic Partnership:** The summit officially elevated relations between India and the Nordic countries (Denmark, Norway, Finland, Iceland, and Sweden) to the level of a trusted strategic partnership focused on green technology and innovation.
- 2. Trade and Economic Integration:** The leaders highlighted the implementation of the India-EFTA Trade and Economic Partnership Agreement (TEPA) and the conclusion of the India-EU Free Trade Agreement.
- 3. Trade and Economic Integration:** The leaders highlighted the implementation of the India-EFTA Trade and Economic Partnership Agreement (TEPA) and the conclusion of the India-EU Free Trade Agreement.
- 4. Climate Action and Blue Economy:** Iceland was welcomed as a new member of LeadIT 2.0, a public-private platform focused on reducing carbon emissions from heavy industries.
- 5. Technology, Space, and Defence:** A new framework agreement was announced between ISRO and the Norwegian Space Agency, alongside the confirmation of a Swedish payload for India's upcoming Venus Orbiter Mission (Shukrayaan-1).
- 6. Defence Cooperation:** India emphasized that Nordic Defence companies can now avail of 100% Foreign Direct Investment (FDI) opportunities within India's Defence industrial corridors.

Previous Summits:

- **First India-Nordic Summit:** Stockholm, Sweden (2018)
- **Second India-Nordic Summit:** Copenhagen, Denmark (2022)
- **Fourth India-Nordic Summit:** To be held in Finland.

- **'Grand Cross of the Royal Norwegian Order of Merit' Award:** The Indian Prime Minister was conferred with the 'Grand Cross of the Royal Norwegian Order of Merit' by King Harald V of Norway during a special ceremony held in Oslo. This award, bestowed upon foreign heads of state, is Norway's highest honor. It is conferred in recognition of outstanding service rendered in the interest of Norway and humanity.

Outcomes:

- **Indo-Pacific Oceans Initiative (IPOI):** Norway announced its decision to join India's 'Indo-Pacific Oceans Initiative,' which is anchored in the vision of "Security and Growth for All in the Region" (SAGAR).
- **'Green Strategic Partnership':** Both nations agreed to elevate their relationship to a 'Green Strategic Partnership,' improving their shared commitment to sustainable development and green progress.
- **Bilateral Cooperation Agreement:** India and Norway will jointly offer India's Digital Public Infrastructure (DPI) comprising the Aadhaar-UPI-CoWIN stack to countries in the Global South.
- **Trade Targets:** Both leaders highlighted the objective of doubling the current volume of trade between India and Norway by the year 2030.

- This aims to fulfill the commitment of investing US\$ 100 billion under the TEPA (Trade and Economic Partnership Agreement) and to generate one million employment opportunities within India.

5. Visit to Italy: May 19–20, 2026



- In the final leg of the tour, at the invitation of Ms. Giorgia Meloni, Prime Minister of the Italian Republic, the Prime Minister undertook an official visit to Italy from May 19 to 20, 2026.
- The Prime Minister had previously visited Italy in June 2024 for the G7 Summit.

- The primary objective of this visit was to foster India-Italy cooperation, with a particular focus on the India Middle-East Europe Economic Corridor (IMEC).
- **‘Agricola Medal’:** Prime Minister Narendra Modi was conferred with the prestigious ‘Agricola Medal’ at the headquarters of the Food and Agriculture Organization (FAO) in Rome, Italy. (Presented by FAO Director-General Qu Dongyu)

Outcomes:

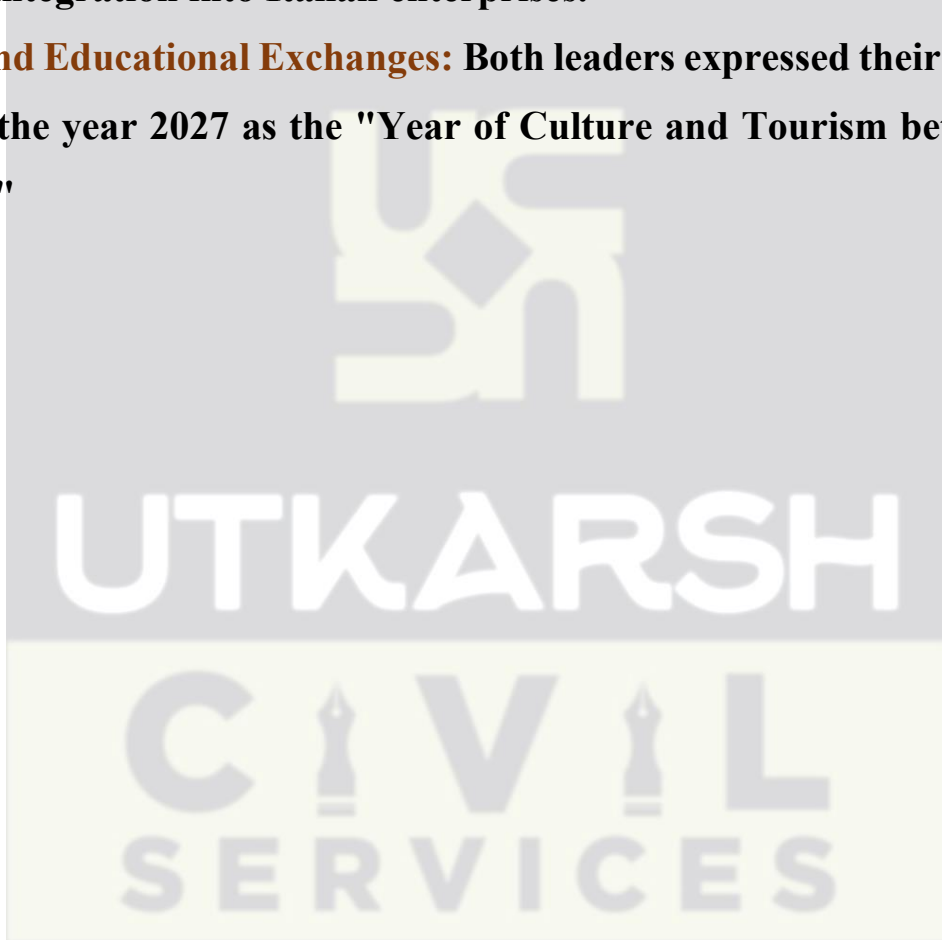
- **Political Dialogue:** Both leaders reviewed and appreciated the concrete progress achieved across the various pillars of the 'Joint Strategic Action Plan 2025-2029' adopted by them. Both leaders agreed to establish a mechanism led by their respective Foreign Ministers to review the India-Italy Joint Strategic Action Plan 2025-29 and to provide strategic direction to the Special Strategic Partnership.
- **Economic Cooperation and Investment:** Both sides reaffirmed their shared goal of increasing bilateral trade to 20 billion Euros by the year 2029.
- Both Prime Ministers signed a Memorandum of Understanding (MoU) on cooperation in 'Critical Minerals'.
- **Connectivity:** Both Prime Ministers reiterated their commitment to cooperate on the 'India-Middle East-Europe Economic Corridor' (IMEC).
- **Science, Technology, Innovation, Startups, and Artificial Intelligence:** The establishment of an innovation hub named "INNOVIT India," located in India, was announced. Its objective is to strengthen cooperation between the innovation-ecosystems of both countries and to promote startup programs, market access, joint research, university collaboration, and talent mobility.

Daily Current Affairs

Date : 21 May 2026



- **Migration and Mobility:** The "ICI – Italy Calls India: A University-Enterprise Talent Bridge" initiative was launched. Its aim is to foster the talent of Indian students studying in Italian universities by providing guidance, connecting them with suitable opportunities, and offering concrete pathways for their qualified integration into Italian enterprises.
- **Culture and Educational Exchanges:** Both leaders expressed their intention to celebrate the year 2027 as the "Year of Culture and Tourism between India and Italy."



-:30:-

Geography and Geology

"Arunachal Kiwi: Arunachal Pradesh's USP" Mission

{Source: PIB}

Why in News?

- On May 20, 2026, the Minister for Development of North Eastern Region (DoNER) and Communications launched "Arunachal Kiwi: Arunachal Pradesh's USP, A Cluster-Based Mission for Kiwi Cultivation and Value Chain Development for the State of Arunachal Pradesh."



Key Points:

- Need for the Mission:** Farmers receive only ₹20–40 per kg for Grade C produce and approximately ₹120 per kg for Grade A produce; whereas, the prices of imported kiwis in Indian and global markets are significantly higher.

Daily Current Affairs

Date : 21 May 2026



- **Launch:** On May 20, 2026, from Ziro Valley and Dirang.
- **Strategic Pillars:** This mission is anchored on four strategic pillars: Convergence, Value Addition, Branding, and Market Integration.
- **Key Objectives:** To enhance the shelf life of kiwis, mitigate the issue of distress selling, create a cold-chain capacity of 2,000 MT, improve processing and value-addition facilities, promote kiwi-related start-ups, boost farmers' income, and establish a global identity for Arunachal's organic kiwi in international export markets by the financial year 2028.
- **Outlay:** With an expenditure of approximately ₹167 crore, the 'Mission on Arunachal Kiwi: Arunachal Pradesh's USP' has been designed through a 'whole-of-government,' convergence-based approach.
- **Nodal Ministry:** Ministry of Development of North Eastern Region (DoNER).
- **Collaborators:** Schemes under the Ministry of Agriculture and Farmers Welfare, Ministry of Rural Development, and Ministry of Food Processing Industries; as well as NABARD, ICAR-CITH, APEDA, NERAMAC, and dedicated private investors.
- **Cluster-based Approach:** This mission adopts a cluster-based approach, under which six integrated cluster-level 'Post-Harvest Management Hubs' have been identified across Ziro Valley (Lower Subansiri), Dirang and Kalaktang (West Kameng), Shi Yomi, and Dibang Valley.
- **Status of Arunachal Kiwi:** It contributes over 50 percent to India's total kiwi production, with an annual output exceeding 7,050 MT.
- Arunachal Pradesh is India's largest kiwi-producing state and the first state in the country to receive certification for organic kiwi under the MOVCD-NER scheme (in 2020).

-:32:-

- In the high-altitude terrain and climatic conditions of Arunachal Pradesh which are highly conducive to organic farming, there is immense potential for cultivating premium kiwi varieties, specifically Hayward and Allison.

Other Key Points:

"Brand North East" Vision: Each state possesses a unique identity (USP):

1. Sikkim – Organic State
2. Mizoram – Ginger
3. Nagaland – Coffee
4. Meghalaya – Lakadong Turmeric
5. Tripura – Queen Pineapple
6. Arunachal – Organic Kiwi

UTKARSH

CIVIL
SERVICES

🎓 Indian Governance and State System 🎓

Judges (Inquiry) Act, 1968

(News on AIR)

📣 Why in News?

- The Judges Inquiry Committee has submitted its report to Parliament in accordance with the statutory requirements under the Judges (Inquiry) Act, 1968.

The Judges (Inquiry) Act, 1968



📌 Key Points:

- This committee was constituted by the Speaker of the Lok Sabha to investigate allegations levied against Justice Yashwant Verma, a former Judge of the High Court.

Judges (Inquiry) Act, 1968

- This Act regulates the procedure for the investigation and proof of misbehavior or incapacity of Judges of the Supreme Court or a High Court.

Daily Current Affairs

Date : 21 May 2026



Procedure:

- A 'motion for removal' signed by 100 members in the case of the Lok Sabha, and by 50 members in the case of the Rajya Sabha is submitted to the Speaker of the Lok Sabha or the Chairman of the Rajya Sabha.
- If accepted, the Presiding Officer constitutes a three-member judicial committee to investigate the allegations. Its members typically comprise a Judge of the Supreme Court, a Chief Justice of a High Court, and a distinguished jurist.
- If misbehavior or incapacity is proven, the motion must be passed by both Houses in the same session by a special majority (at least two-thirds of the members present and voting).
- Subsequently, a representation is sent to the President for the removal of the Judge from office.

Schemes and Policies

Trade Enablement and Access to Market (TEAM) Initiative

(Source-PIB)

Why in News?

- The Union Ministry of Micro, Small and Medium Enterprises (MSME) is accelerating the digital transformation of India's smallest businesses through the 'TEAM' initiative.

Key Points:

TEAM Initiative

- **The full form of TEAM:** Trade Enablement and Access to Market.
- **Scheme Type:** Central Sector Scheme. It was launched in 2024.
- **Objective:** To provide end-to-end e-commerce support to Micro and Small Enterprises, enabling them to participate effectively in digital commerce through the 'Open Network for Digital Commerce' (ONDC).
- This is a transformative sub-scheme under the World Bank-supported 'Raising and Accelerating MSME Performance' (RAMP) program.
- The RAMP program was launched in 2022 to enhance the implementation capacity and outreach of MSMEs.
- **Implementation Period:** 3 years, from 2024 to 2027.
- **Implementing Agency:** National Small Industries Corporation (NSIC).

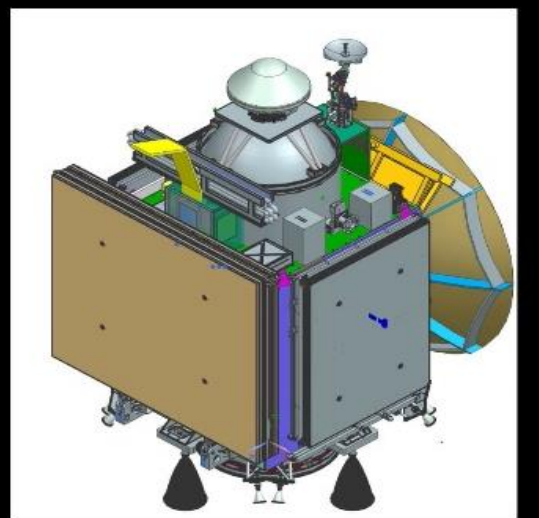
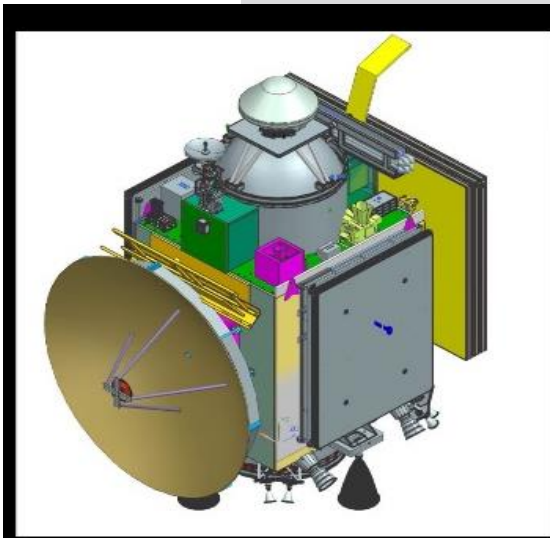
🕒 SCIENCE & TECHNOLOGY 🕒

Venus Orbiter Mission (VOM)

(Source: Times of India)

📣 Why in News?

- Sweden has joined India's 'Shukrayaan' mission.



📌 Key Points:

- Venus is Earth's closest planetary neighbor. It is believed to have formed under conditions similar to those of Earth.

Venus Orbiter Mission (VOM)

- This is India's first scientific mission designed to study the planet Venus. It was approved in 2024.
- **Objective:** To develop a better understanding of the surface and subsurface of Venus, its atmospheric processes, and the Sun's influence on the Venusian atmosphere.
- It is scheduled to be launched in March 2028.
- ISRO will be responsible for the development and launch of the spacecraft.

--:37:--

The 'Hop' Experiment

(Source: The Indian Express)

Why in News?

- Scientists have presented significant new insights regarding the lunar upper surface at Chandrayaan-3's 'Shiv Shakti' landing site. These findings are derived from data collected during the "Hop" experiment.

Key Points:

The 'Hop' Experiment

- Conducted at the conclusion of the Vikram Lander's scheduled active mission phase, this operation demonstrated ISRO's capability to "re-ignite the Lander's engines."
- This thrust successfully lifted the spacecraft off the lunar surface, thereby validating a critical capability for future sample-return missions.

Key Findings of the Experiment

- **Layered Structure:** Distinct, "cake-like" layers were observed on the lunar surface, formed over time through the impact of micro-meteoroids.
- **Soil Variation:** The lunar soil becomes denser and more compact just a few centimeters beneath the surface.
- **Twilight Thermal Variations:** The 'Chandra's Surface Thermophysical Experiment (ChaSTE)' recorded a sharp decline in temperature during twilight hours, attributed to the Moon's airless environment.

Multilateral Exercise PRAGATI, 2026

(Source: PIB and DD-NEWS)

Why in News?

- On May 20, 2026, the multilateral military exercise PRAGATI-2026 was inaugurated at the Umroi Military Station in Meghalaya.



Key Points:

- Meaning of PRAGATI:** "Partnership of Regional Armies for Growth and Transformation in the Indian Ocean Region."
- Participants:** 12 friendly nations including Bhutan, Cambodia, Indonesia, Laos, Malaysia, Maldives, Myanmar, Nepal, the Philippines, Seychelles, Sri Lanka, and Vietnam are participating in this military exercise.
- Organised to be conducted over a period of two weeks, this exercise focuses on counter-terrorism operations in semi-mountainous and jungle terrains.
- Objective:** To enhance the adaptability, endurance, and tactical proficiency of the participating troops.

Unmanned Aerial Vehicle Launched Precision Guided Missile (ULPGM-V3)

(Source: PIB)

Why in News?

- Recently, the Defence Research and Development Organisation (DRDO) successfully conducted a flight test of a Precision Guided Missile (ULPGM-V3) launched from an Unmanned Aerial Vehicle (UAV) at the National Open Air Range (NOAR) located in Kurnool, Andhra Pradesh.



Key Points:

- The Test:** This missile was launched from an indigenously developed UAV by NewSpace Research Technologies, an Indian startup based in Bengaluru.
- Introduction:** The ULPGM-V3 is a precision missile designed to be launched from a drone, capable of accurately engaging both ground targets and enemy aerial targets.

--:40:--

Daily Current Affairs

Date : 21 May 2026



- **Advanced Version:** This missile is an advanced version of the ULPGM-V2 missile, which was previously developed and delivered by the DRDO.
- **Development:** This missile has been jointly developed by various DRDO laboratories, including the Research Centre Imarat (RCI), Defence Research and Development Laboratory (DRDL), Terminal Ballistics Research Laboratory (TBRL), High Energy Materials Research Laboratory (HEMRL), Integrated Test Range (ITR), and Defence Electronics Research Laboratory (DLRL).
- **The missile is equipped with three modular warhead options:** an Anti-Armour warhead designed to destroy modern-era armoured vehicles including those equipped with Rolled Homogeneous Armour (RHA) and Explosive Reactive Armour (ERA); a Penetration-cum-Blast warhead for anti-bunker applications; and a Pre-fragmentation warhead featuring a high-lethality zone.

--:41:--